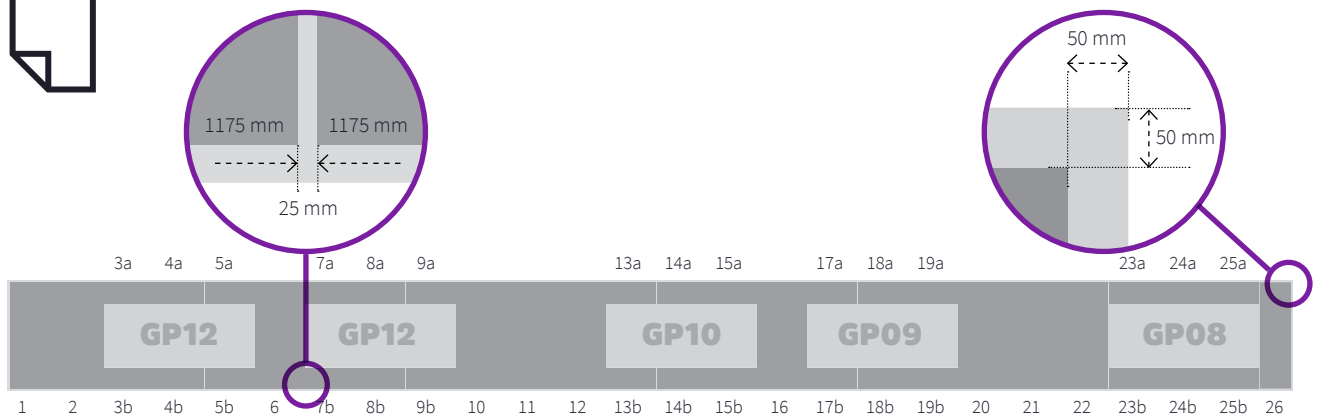


## GENÈVE AÉROPORT EAST WING BRANDING ZONE 2 METAL WALL (1/4)



### Print specifications

Material Sticker

#### Full wall formats

Visible	Production
33365 x 2540 mm	33465 x 2640 mm

#### Plate formats

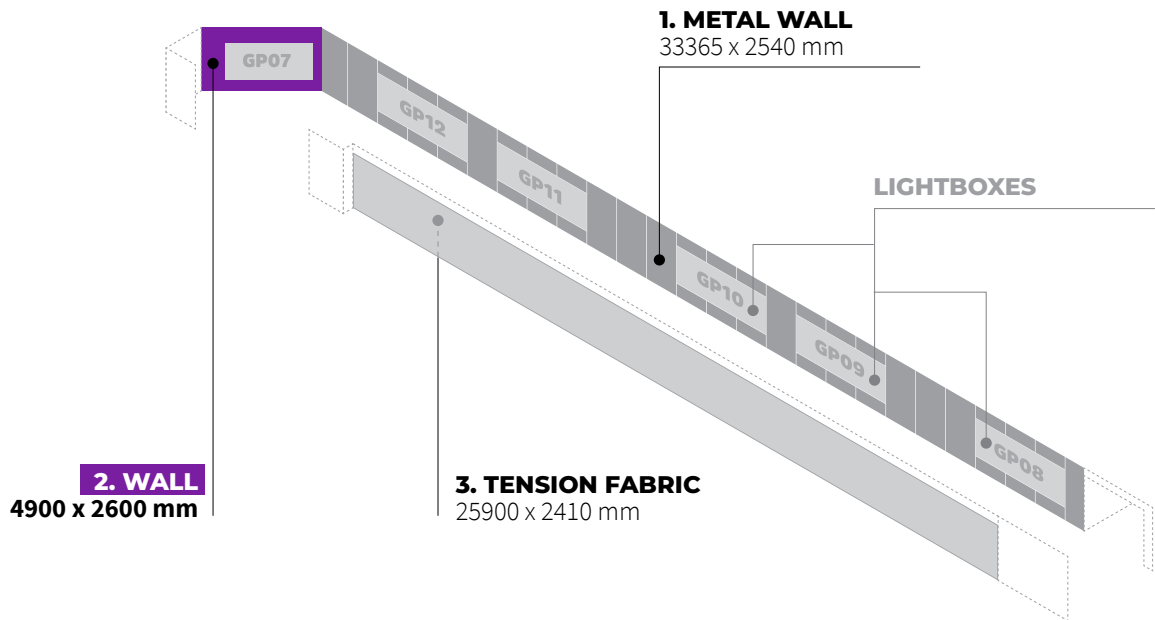
	Visible	Production
<b>1</b>	1040 x 2540 mm	1140 x 2640 mm
<b>2, 6, 10-12, 16, 20-22</b>	1175 x 2540 mm	1275 x 2640 mm
<b>26</b>	425 x 2540 mm	625 x 2640 mm
<b>...a</b>	1175 x 505 mm	1275 x 605 mm
<b>...b</b>	1175 x 500 mm	1275 x 600 mm

### Preparing computer files for digital printing

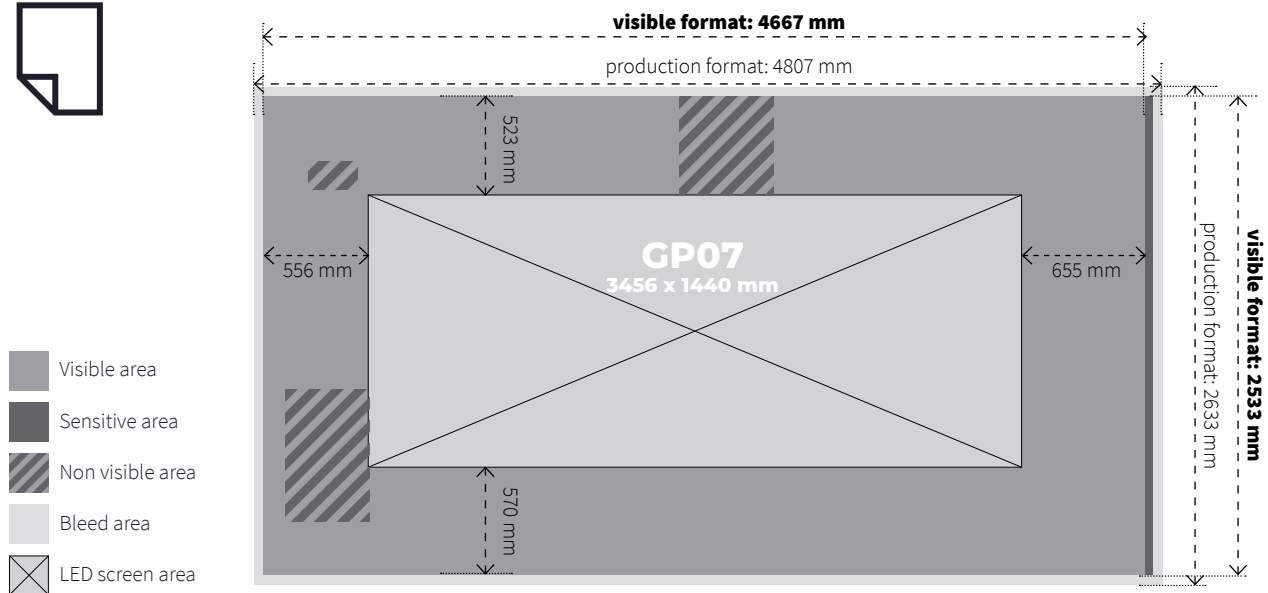
Deadline	15 days before campaign start
File	High resolution PDF
Resolution	Minimum 80 dpi
Scale	1:10 (10% of final production size)
Colors	CMYK
Bleeding	50 mm on each side (already included under "Print format")

### Production template (Adobe Illustrator®)

NEO\_Template\_EWBZ2-MetalWall



## GENÈVE AÉROPORT EAST WING BRANDING ZONE 2 - WALL (2/4)



### Print specifications

Material	Matte laminated sticker
Print format	4807 x 2633 mm
Visible format	4667 x 2533 mm

### Production template (Adobe Illustrator®)

NEO_Template_EWBZ2-Wall
-------------------------

### Preparing computer files for digital printing

Deadline	15 days before campaign start
File	High resolution PDF
Resolution	Minimum 100 dpi
Scale	1:10 (10% of final production size)
Colors	CMYK
Bleeding	50 mm on each side (already included under "Print format")



GENÈVE AÉROPORT  
**EAST WING BRANDING ZONE 2 - LED GP07 (3/4)**



**Display specifications**

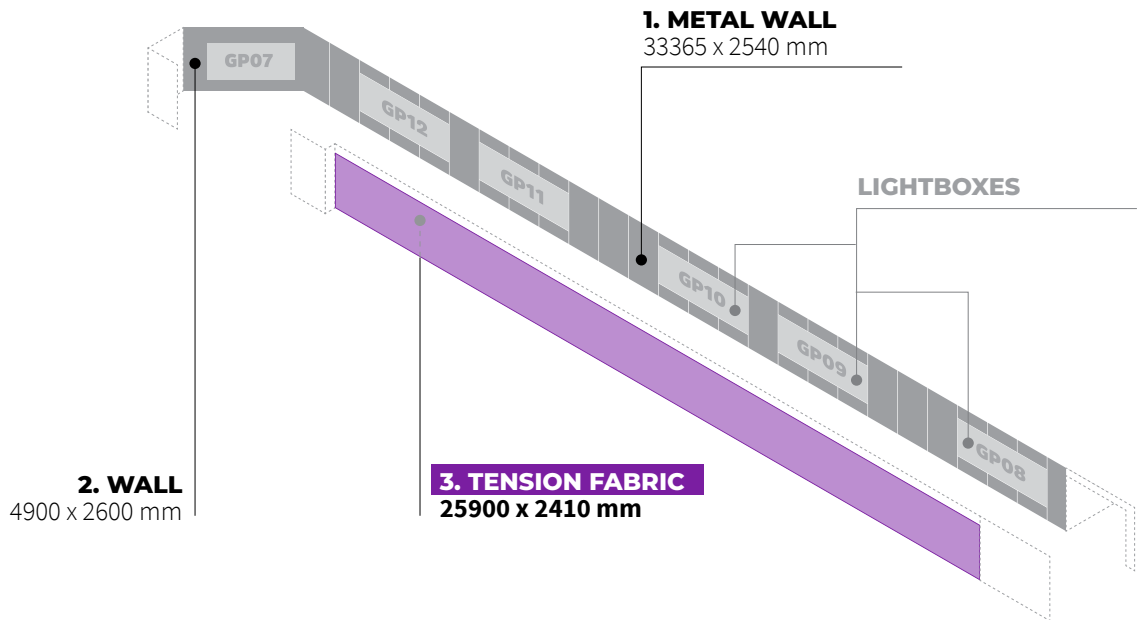
Technology	LED
Video size	1440 x 600 px
Display physical size	3456 x 1440 mm

**Important**

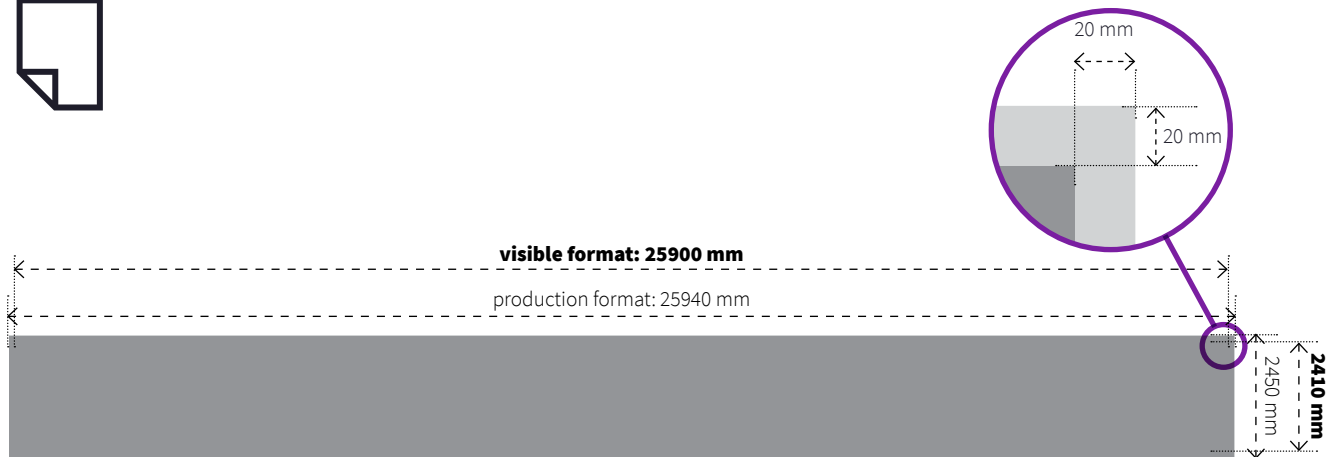
Extra charges may apply for video transcoding or image converting.

**Video file format**

Frame rate	25 fps or 30 fps
Data rate	20 Mbps
Color mode	RGB
Codec	H264
Profile	H264 Lv6 High
Recommended format	mp4
Other accepted formats*	mov



## GENÈVE AÉROPORT EAST WING BRANDING ZONE 2 - TENSION FABRIC (4/4)



### Print specifications

Material	Fabric
Print format	25940 x 2450 mm
Visible format	25900 x 2410 mm

### Production template (Adobe Illustrator®)

NEO_Template_EWBZ2_TensionFabric
----------------------------------

### Preparing computer files for digital printing

Deadline	15 days before campaign start
File	High resolution PDF
Resolution	Minimum 80 dpi
Scale	1:10 (10% of final production size)
Colors	CMYK
Bleeding	20 mm on each side (already included under "Print format")